

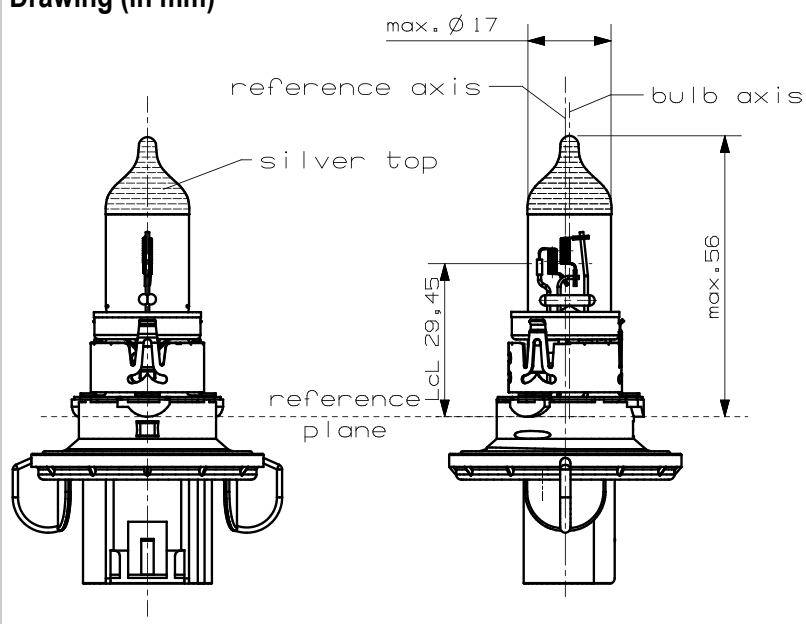
## Halogen Headlamp H13

	<b>Type H13 / 9008</b> <b>12V 60/55 W P26,4t</b> <b>100% more Light</b>
	<b>Ordering - No.</b> <b>28096</b>
<b>Product Description</b>	Halogen Headlamp
<b>Features</b>	Original Equipment Manufacturer Quality, Hardglass
<b>Applications</b>	High and Low beam

### Technical Details

Category	H13 / 9008	
E-homologation No.	E1 2UY	
NHTSA	DOT	
Rated Voltage (V)	12	
Wattage (W)	at 13,2V at 12,8V	max. 75/68 max. 70/60
Luminous Flux (lm)	at 13,2V at 12,8 V	1700/1100 ± 15 % 1500/1000 ± 15 %
Life B3 (h)	at14V	50/100
Life B50 (h)	at14V	100/200
Life Tc (h)	at 14V	150/250
Base	P26,4t	
Bulb Diameter (mm)	max. 17	
Light Center Length (mm)	29,45	
Burning Position	horizontal, long Electrode above Filament	
Bulk Package	200	
Singlebox Package	100	
Blister Package	10	

### Drawing (in mm)



valid from	13.03.2014—V3—PN14/0146
replace for	15.11.2013—V2
file	28096.100.pdf