

## Halogen Headlamp HB4 / 9006



**Type HB4**  
**12V 51W P22d**  
**Type 9006**  
**12,8V 55W P22d**  
**100% more Light (+100)**

**Ordering - No.**  
**27406**

### Product Description

Halogen Headlamp

### Features

Original Equipment Manufacturer Quality,  
 Hardglass

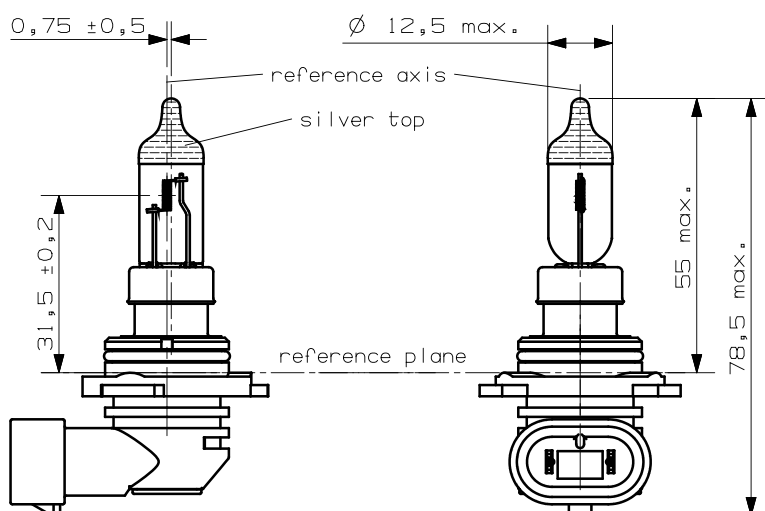
### Applications

Low beam

### Technical Details

ECE-R37 / ANSI	HB4 / 9006	
E-homologation No.	E1 2UX	
FMVSS	DOT	
Rated Voltage (V)	12 / 12,8	
Wattage (W)	at 13,2V at 12,8V	max. 62 max. 60
Luminous flux (Lm)	at 13,2V at 12,8V	1095 ± 15% 1000 ± 15%
Life B3 (h)	at 14,0V	120
Life B50 (h)	at 14,0V	240
Base	P22d	
Maximum Overall Length (mm)	max. 78,5	
Bulb Diameter (mm)	max. 12,5	
Light Center Length (mm)	31,5 ± 0,2	
Burning Position	horizontal, long Electrode above Filament	
Bulk Package	200	
Singlebox Package	100	

### Drawing (in mm)



valid from	13.03.2014—V3—PN14/0146
replace for	15.11.2013—V2
file	27406.100.pdf