


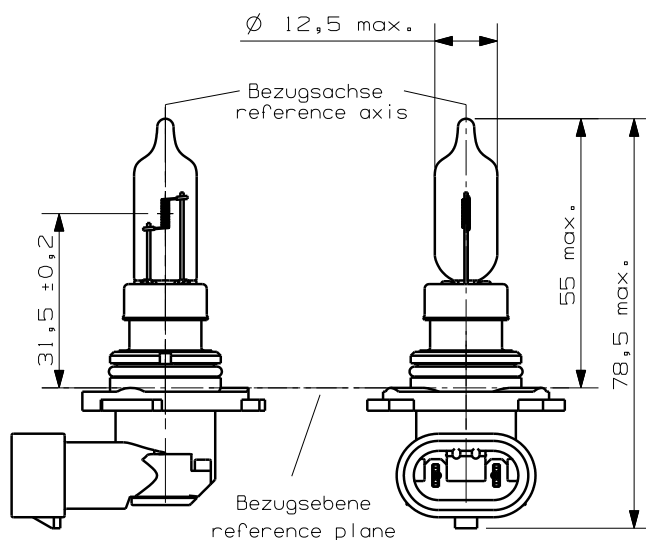
Halogen Headlamp HB3 / 9005

	Type HB3 12V 60W P20d Type 9005 12,8V 65W P20d 100% more Light (+100)
	Ordering - No. 27405
Product Description	Halogen Headlamp
Features	Original Equipment Manufacturer Quality, Hardglass
Applications	High beam Fog Light

Technical Details

ECE-R37 / ANSI	HB3 / 9005	
E-homologation No.	E1 2UW	
FMVSS	DOT	
Rated Voltage (V)	12 / 12,8	
Wattage (W)	at 13,2V at 12,8V	max. 73 max. 70
Luminous Flux (lm)	at 13,2V at 12,8V	1860 ± 12% 1700 ± 12%
Life B3 (h)	at 14,0V	100
Life B50 (h)	at 14,0V	200
Base	P20d	
Maximum Overall Length (mm)	max. 78,5	
Bulb Diameter (mm)	max. 12,5	
Light Center Length (mm)	31,5 ± 0,2	
Burning Position	horizontal, long Electrode above Filament	
Bulk Package	200	
Singlebox Package	100	

Drawing (in mm)



valid from	20.02.2013—V1—PN12/0252
replace for	
file	27405.100.pdf